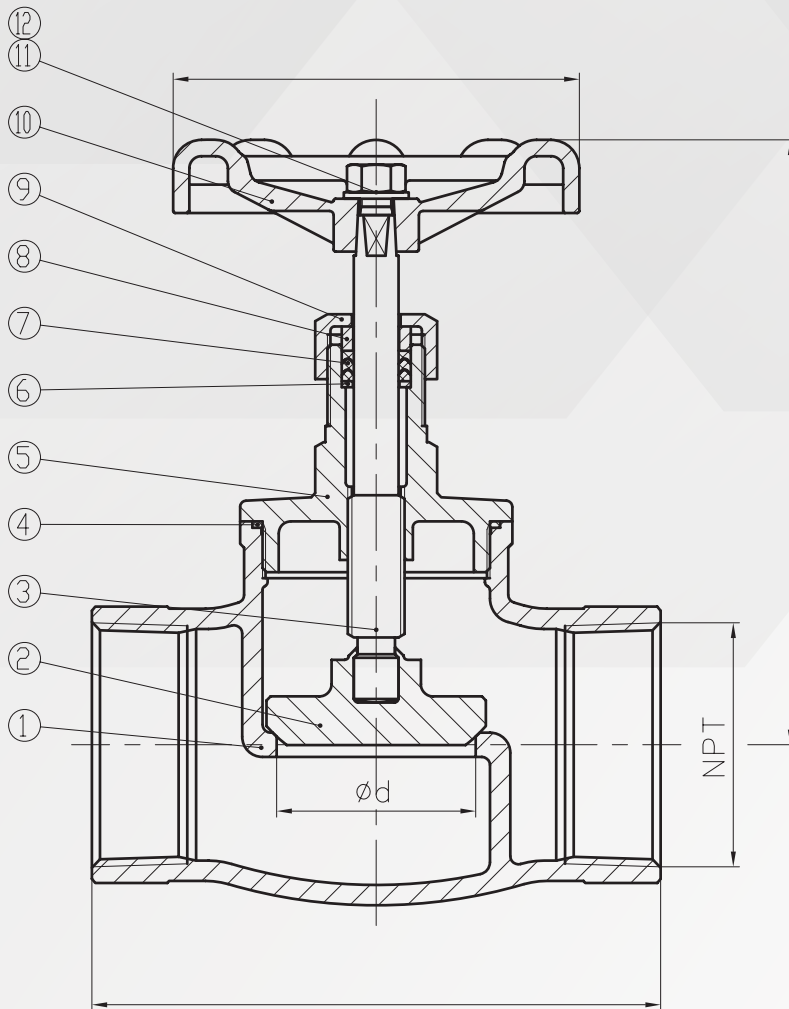


Installation, Operation, and Maintenance (IOM) Manual for Flanged Globe Valves



| | |
|----|---------------|
| 12 | NUT |
| 11 | SPRING WASHER |
| 10 | HANDWHEEL |
| 9 | BONNET NUT |
| 8 | GLAND |
| 7 | PACKING |
| 6 | WASHER |
| 5 | BONNET |
| 4 | GASKET |
| 3 | STEM |
| 2 | DISC |
| 1 | BODY |

Refer to the diagram and parts list above for a detailed view of each component, assisting with installation, operation, and maintenance for optimal valve performance.



ANIX VALVE CO.LTD, Certified ISO 9001.

www.anixusa.com

Note: This manual provides guidance for the proper installation, operation, and maintenance of threaded globe valves to ensure efficient performance and long-lasting service. It includes general practices for safe usage, regular inspection, and potential troubleshooting. We are not liable for damages arising from its use. Consult a professional if you have specific concerns related to your application or environment. For additional assistance, contact your supplier or representative.

GENERAL INFORMATION

- A globe valve is a type of linear-motion valve designed for controlling or throttling flow. It achieves shutoff by adjusting the disc against the flow stream. Unlike gate valves, globe valves redirect the flow path, which can result in a higher pressure drop. This valve is suited for applications where precise flow control is required.

INSTALLATION:

- Positioning: These valves are designed for installation in any position within the pipeline. Follow standard piping practices for optimal placement and alignment.
- Threaded End Preparation: For threaded connections, apply a suitable joint compound or Teflon tape to the pipe threads to ensure a secure, leak-free fit.
- Installation Caution: When installing the valve, hold the hex end closest to the pipe to prevent stress on the valve body threads, which could lead to damage and possible leakage. Note: Any damage caused by improper installation is not covered under warranty.





ANIX VALVE CO.LTD, Certified ISO 9001.
www.anixusa.com

OPERATION:

- Opening and Closing: Rotate the handwheel clockwise to close the valve and counterclockwise to open it. Turn gently to avoid over-tightening.

MAINTENANCE:

- Safety Warning: Do not attempt any maintenance on valves under pressure. Depressurize the line completely before beginning any adjustments.
- Stem Seal Adjustment:
 - If there is leakage from the stem packing area, tighten the packing nut (located below the handle) by 1/8 of a turn.
 - If leakage is detected at the joint between the bonnet and the body, carefully tighten the bonnet.
 - If minor adjustments do not resolve leakage, it may be necessary to replace the valve.

